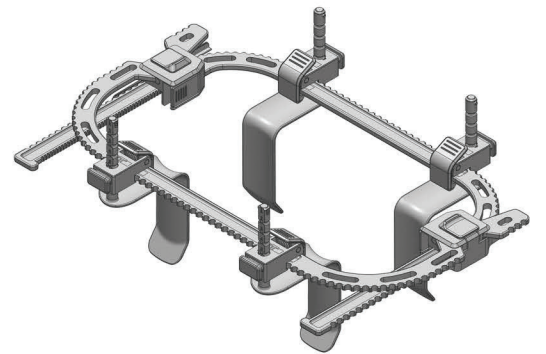
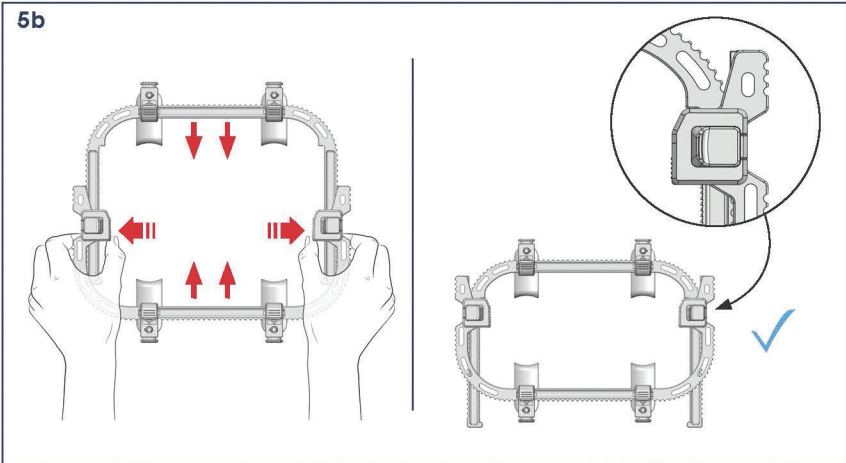
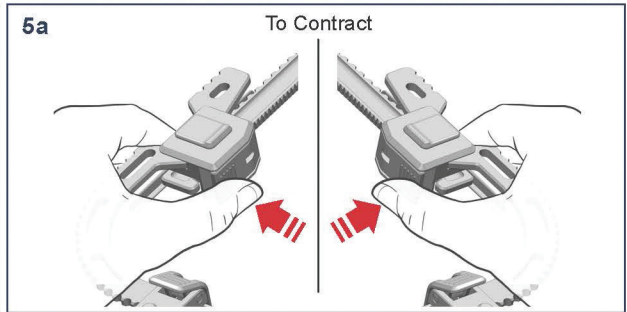
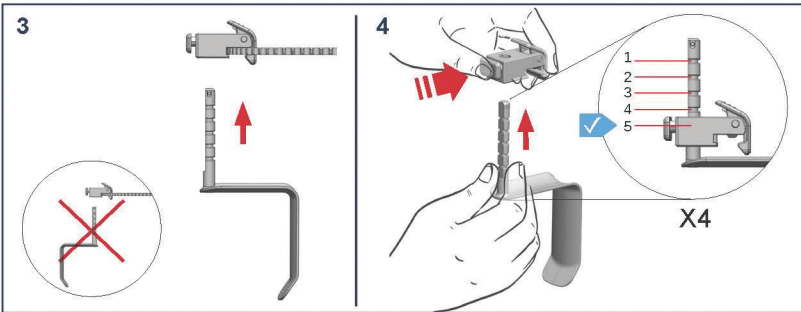
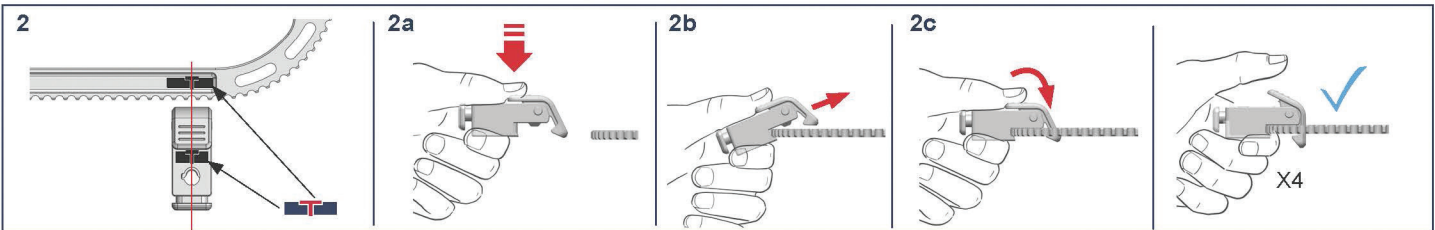
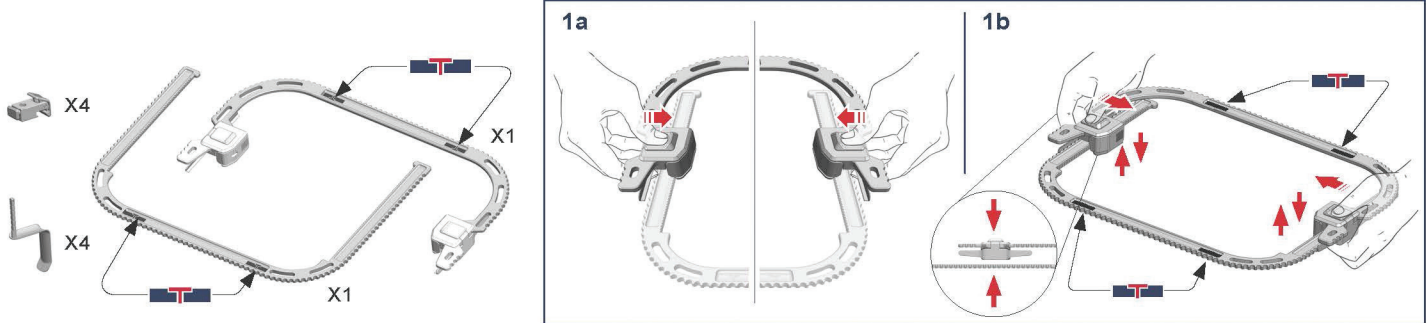


Assembly Instructions



The TITAN CSR® Surgical Retractor is compatible with Bookwalter® retractor blades and attachments. For Customer Service Please Call 855-415-7471. For Assembly Videos, Scan QR Code.



Disassembly Instructions

